

**FEA Information Inc.**  
**Global News & Technical Information**



**Dedicated to the Global Engineering Community**



## FEA Information Inc. News & Technical Information

Volume 2      Issue 1-2002, January

### Editorial Board:

Trent Eggleston	Editor
Marsha Victory	Feature Editor
Wayne Mindle	Graphics
Arthur B. Shapiro	Technical Writer
David Benson	Technical Writer

### Purpose:

The purpose of our free e-mailed publication is to provide technical and industry information.

### New Technical Writer:

We welcome Dr. Arthur B. Shapiro as technical writer for the news and the application websites. Additionally, Dr. Shapiro will be reviewing the AVI submissions sent to FEA Information Inc. Dr. Shapiro can be reached at: [shapiro@feainformation.com](mailto:shapiro@feainformation.com)

### In This Issue:

03	A New Material Model for Low Density Foams
05	Material Modeling
15	Getting Started with LS-DYNA
20	Design Space & Solid Works Help Buck Knives
23	Virtual Prototype Analysis
25	FEA Information Inc. Participant Listing
26	Website Summary Product Showcase

**Welcome Participant:** DYNAmore GmbH, located in Germany: [www.dynamore.de](http://www.dynamore.de)

**Feb. Feature:** Efficient and Robust Spotweld Modeling and Simulation in Crashworthiness with LS-DYNA, Karl Schweizerhof, Werner Schmid DYNAmore GmbH, Stuttgart, Germany. Additionally Karl Schweizerhof is with the Institute of Mechanics, Univ. of Karlsruhe, Germany

**March Feature:** Post Processing

The contents of this publication is deemed to be accurate and complete. However, FEA Information Inc. doesn't guarantee or warrant accuracy or completeness of the material contained herein. All trademarks are the property of their respective owners. This publication is published for FEA Information Inc., © Copyright. All rights reserved. Not to be reproduced in hardcopy or electronic format.

**A New Material Model for Low Density Foams**  
**© Copyright FEA Information Inc. 2002**  
**Dr. David Benson**

A new material model for low density, transversely isotropic crushable foams, has been developed at DaimlerChrysler by Hirth, Du Bois, and Weimar and implemented in LS-DYNA as a user subroutine. LSTC has converted and optimized their subroutine as a new material model in LS-DYNA, and it is now generally available. Hirth, Du Bois, and Weimar determined that MAT\_HONEYCOMB, which is commonly used to model foams, can systematically over estimate the stress when it is loaded off-axis. Their new material model overcomes this problem without requiring any additional input. Their new model can possibly replace the MAT\_HONEYCOMB material, which is currently used in the frontal offset and side impact barriers.

Many polymers used for energy absorption are low density, crushable foams with no noticeable Poisson effect. Frequently manufactured by extrusion, they are transversely isotropic. This class of material is used to enhance automotive safety in low velocity (bumper impact) and medium velocity (interior head impact) applications. These materials require a transversely isotropic, elastoplastic material with a flow rule allowing for large permanent volumetric deformations.

The MAT\_HONEYCOMB model uses a local coordinate system defined by the user. One of the axes of the local system coincides with the extrusion direction of the honeycomb in the undeformed configuration. As an element deforms, its local coordinate system rotates with its mean rigid body motion. Each of the six stress components is treated independently, and each has its own law relating its flow stress to its plastic strain.

The effect of off-axis loading on the MAT\_HONEYCOMB model can be estimated by restricting our considerations to plane strain in two dimensions. Our discussion is restricted to the response of the foam before it becomes fully compacted. After compaction, its response is modeled with conventional  $J_2$  plasticity. The model reduces to

$$|\sigma_{11}| \leq \sigma_{11}^y(\epsilon_v)$$

$$|\sigma_{22}| \leq \sigma_{22}^y(\epsilon_v)$$

$$|\sigma_{12}| \leq \sigma_{12}^y(\epsilon_v)$$

where  $\epsilon_v$  is the volumetric strain. For a fixed value of volumetric strain, the individual stress components respond in an elastic-perfectly plastic manner, i.e., the foam doesn't have any strain hardening.

In two dimensions, the stress tensor transforms according to

$$[\sigma] = [R(\theta)]^T [\sigma_\theta] [R(\theta)]$$

$$[R(\theta)] = \begin{bmatrix} \cos(\theta) & -\sin(\theta) \\ \sin(\theta) & \cos(\theta) \end{bmatrix}$$

where  $\theta$  is the angle of the local coordinate system relative to the global system. For uniaxial loading along the global 1-axis, the stress will be (accounting for the sign of the volume strain),

$$\sigma_{11} = \{ [\cos(\theta)]^2 \sigma_{11}^y + [\sin(\theta)]^2 \sigma_{22}^y + 2 \cdot \sin(\theta) \cos(\theta) \sigma_{12}^y \} \text{sgn}(\epsilon_v)$$

assuming the strain is large enough to cause yielding in both directions.

If the shear strength is neglected,  $\sigma_{11}$  will vary smoothly between  $\sigma_{11}^y$  and  $\sigma_{22}^y$  and never exceed the maximum of the two yield stresses. This behavior is intuitively what we would like to see. However, if the value of shear yield stress isn't zero,  $\sigma_{11}$  will be greater than either  $\sigma_{11}^y$  or  $\sigma_{22}^y$ . To illustrate, if  $\sigma_{11}^y$  and  $\sigma_{22}^y$  are equal (a nominally isotropic response) the magnitude of the stress is

$$|\sigma_{11}| = \sigma_{11}^y + 2 \cdot \sin(\theta) \cos(\theta) \sigma_{12}^y$$

and achieves a maximum value at 45 degrees of

$$|\sigma_{11}| = \sigma_{11}^y + \sigma_{12}^y.$$

For cases where there is anisotropy, the maximum occurs at a different angle and will have a different magnitude, but it will exceed the maximum uniaxial yield stress. In fact, a simple calculation using Mohr's circle shows that the maximum value will be

$$\sigma_{\max}^y = \frac{1}{2} (\sigma_{11}^y + \sigma_{22}^y) + \frac{1}{2} \sqrt{(\sigma_{11}^y - \sigma_{22}^y)^2 + 4\sigma_{12}^y}.$$

To correct for the systematic overestimation of the off-axis strength by MAT\_HONEYCOMB, MAT\_TRANSVERSELY\_ISOTROPIC\_CRUSHABLE\_FOAM has been implemented in LS-DYNA for release in version 970 and the most recent updates of version 960. It uses a single yield surface, calculated dynamically from the six yield stresses specified by the user. The yield surface hardens and softens as a function of the volumetric strain through the yield stress functions. While the cost of the model is higher than for MAT\_HONEYCOMB, its superior response off-axis makes it the model of choice for critical applications involving many types of low density foams.

### Dedicated to the Engineering Community



**Modeling Rigid Bodies In LS-DYNA,  
© Copyright Suri Bala, 2002  
Livermore Software Technology Corporation**

## **Introduction**

Multi-body dynamics, i.e., the treatment of rigid bodies, in LS-DYNA is a mature capability that is used in nearly all applications. Rigid bodies are used in explicit transient calculations to represent stiff structural components that are assumed to undergo very small deformations but large translations and rotations. In crash analysis, rigid bodies are commonly used to model spot welds and engine blocks, and in manufacturing applications to model rigid tooling. Another important application is roll over simulations, where the vehicle moves freely for a significant time period without contact. During this free movement a rigid body treatment is sufficiently accurate in updating the geometry while reducing CPU time by more than order-of-magnitude. In NVH applications, the chassis can be represented by a rigid body coupled to the modal solution combined with the attachment, constraint, or inertial relief modes: this modeling technique provides a huge cost savings over explicit time integration of the degrees-of-freedom in the chassis, while providing sufficient accuracy. The rigid body treatment can also be used to impose complicated boundary conditions involving subsets of nodal points.

## **Defining Rigid Bodies**

There are a number of ways to define rigid bodies in LS-DYNA. However, the most straightforward method is to define an accurate finite element mesh for the part and when assigning constitutive properties on the \*PART card, simply use a \*MAT\_RIGID constitutive model. In the \*MAT\_RIGID definition, the mass density and elastic constants of the rigid material are given. Later, if it turns out that experimental test show significant deformations in the rigid part, the \*MAT\_RIGID definition can be trivially replaced by an elastic-plastic constitutive model with the same elastic constants and no other input changes will be necessary. Another advantage of an accurate finite element mesh, besides the obvious one of visualization, is that the inertia tensor, the total rigid mass, and the mass center are automatically calculated using the input mass density and do not need to be separately defined. Also, parts contacting the rigid body will transmit forces at the proper geometric locations, which would not be possible if a crude geometric representation is used for the rigid body. The contact stiffness for penalty based contact is computed from the elastic constants defined in the \*MAT\_RIGID input so realistic values are always recommended. In the \*SECTION definition all element formulations for the different element types, i.e., beams, shells, etc., can be used for rigid bodies. Since no numerical integration is performed at the element level if the element is rigid, the number of integration points specified here is irrelevant. No storage is allocated for the integration points in the rigid materials, unless the material starts as deformable with the intent that it will be switched to rigid later in the calculation, for example, in roll over.

Frequently, the use of an accurate mesh for the rigid body is unnecessary, since the surface geometry is of interest: not the solid material beneath the surface. This is true in modeling the tooling used in manufacturing and the engine blocks used in crash modeling. In the latter case, unlike the former where all motion is prescribed, the center-of-mass, the total mass, and inertia tensor must be accurate. The \*PART\_INERTIA definition is used to define these quantities directly.

Rigid bodies can be defined without elements by providing a list of nodal points that are included in the rigid body definition. This is done through the following three options: \*CONSTRAINED\_NODAL\_RIGID\_BODY, \*CONSTRAINED\_SPOTWELD, and \*CONSTRAINED\_GENERALIZED\_WELD. If necessary, the INERTIA option can be used with the nodal rigid body definition. The disadvantage of the nodal rigid body is that no surface exist for contact, assuming that null shells are not used, and that visualization during post-processing is difficult. However, the nodes in the nodal rigid body can be treated in the node to surface contact definitions.

Rigid bodies can share nodes with deformable bodies. The mass of the shared nodes, which belongs to the deformable body, is added to the rigid body's mass and inertia tensor. If the INERTIA option is used to define the rigid body mass and inertia tensor, then it is the responsibility of the user to include the shared mass of merged nodal points. The ability to couple rigid bodies to deformable bodies by shared nodes makes it very easy to add deformable materials to rigid body dummy models to obtain more realistic responses. To attach deformable materials to rigid bodies when the nodes are not shared is quite simple. Tied contact interfaces based on constraint equations cannot be used; rather, the interface nodes in the deformable material that should move with the rigid body should be slaved to the rigid body by the keyword, \*CONSTRAINED\_EXTRA\_NODES, as discussed below.

### **Constraints on Rigid Bodies**

Constraints on rigid bodies can be applied in either the global or local coordinate systems. The parameters CON1 and CON2 in the \*MAT\_RIGID definition are used to define the appropriate constraints on the rigid body. However, during the rigid body initialization, LS-DYNA checks all nodal constraints in the set of rigid body nodes and determines whether any of the six degrees-of-freedom of the rigid body are globally constrained: if so, CON1 and CON2 are set automatically, and this information is written into the D3HSP file. If a global constraint cannot be determined from the constraints on the rigid body nodes, a penalty method is used to impose the constraints directly on the nodes. This latter method is not always reliable due to the difficulty of determining an optimal value for the penalty. To properly tie a rigid body at a node the use of a joint with the Lagrange multiplier option is preferred since it eliminates the uncertainties of the penalty formulation.

Constraints on the rigid body that apply in the local coordinate system are specified by setting the input parameter CMO to -1, CON1 to the ID of the local coordinate system, and CON2 to the desired constraint value. For example, setting CON2 to "111111" would fix all



translational and rotational degrees-of-freedom for a body in a local coordinate system defined using \*DEFINE\_COORDINATE\_SYSTEM.

It is important to remember that the constraints apply at the center of gravity of the rigid body. Specifying the constraints only on the translational degrees-of-freedom will enable the rigid body to rotate about its mass center.

### **Engine Block Representation in Vehicle Crash Analysis**

One frequent application of the \*MAT\_RIGID material is to model the engine block of the vehicle. An implicit finite element model, obtained from the powertrain group, is converted to LS-DYNA by retaining only the outer surface definition, which is modeled in LS-DYNA with shell elements. This finite element mesh must be sufficiently refined to provide for a realistic contact treatment. The mass and the inertia properties, which are known, are input using the \*PART\_INERTIA keyword definition.

When the keyword \*PART\_INERTIA is used, initial global velocities must be defined with the inertial properties, or, LS-DYNA will initialize these velocities to zero. Therefore, it is important to specify the appropriate global velocity in the \*PART\_INERTIA keyword

The engine block in a typical full frontal crash simulation comes into contact with other structural components and sometimes with the rigid wall. When contact between a rigid body, such as the engine block, and the rigid wall is likely, the RWPNAL factor on the keyword control card \*CONTROL\_CONTACT, must be set to 1.0. This option applies to the PLANAR option, which is commonly used to model the rigid wall in full frontal crash simulations. If RWPNAL is defaulted to 0.0, contact between the rigid wall and nodes of rigid bodies is ignored.

### **Constrained Nodal Rigid Body**

Constrained nodal rigid bodies are treated internally in LS-DYNA like a rigid body part, which uses the MAT\_RIGID material model. A set of nodes is defined for each nodal rigid body definition with a minimum number of 2 nodes. Nodal rigid bodies with one node are deleted. To add a lumped mass or an inertia tensor to a single nodal point, use the respective keyword commands: \*ELEMENT\_MASS or \*ELEMENT\_INERTIA.

The most common usage of the NODAL\_RIGID\_BODY definition is to model rigid, i.e., non/breakable, connections between structural parts. It is also common practice to model spot welds and other weld types using this definition. The \*CONSTRAINED\_GENERALIZED\_WELD option is essentially a nodal rigid body with a failure criterion. The \*CONSTRAINED\_NODE\_SET option in LS-DYNA eliminates all rotational degrees-of-freedom within the set and should be used cautiously. The CONSTRAINED\_SPOTWELD option is an extremely efficient implementation of two node spot welds and uses rigid body dynamics in the update of the motion of the spot welds.

### Merging Rigid Bodies

Components, such as an engine block, are made of an assembly of discrete parts. One way to model an entire assembly as a rigid body is to simply put all elements in the assembly of parts into one \*PART keyword and assign a \*MAT\_RIGID material type. This works if all elements are of the same type since under the \*PART definition the \*SECTION ID defines the element type for the entire part. In general though, within an assembly of parts, many different element types are needed. So as an alternative, the keyword \*CONSTRAINED\_RIGID\_BODIES can be used to define a single rigid body that contains many different element types. The input, as shown in Figure 1.1, requires a master part ID and a slave part ID. LS-DYNA internally merges the two bodies and treat them as one. An unlimited number of slave parts can be merged to a given master part. This feature enables the user to keep the individual parts of the assembly as separate components in the pre-processor and post-processor but treat them as one internally. Plus it allows a given rigid body to be made up of all available element types.

**\*CONSTRAINED\_RIGID\_BODIES**

<i>Master Part</i> <i>IA</i>	1	2	3	4	5	6	7	8
Variable	PIDM	PIDS						
Type	1	1						
Default	none	none						

*Slave Part Id*

Figure 1.1 Merging Rigid Bodies using \*CONSTRAINED\_RIGID\_BODIES

### Defining Structural Connections to A Rigid Body

To rigidly constrain an arbitrary nodal point of a deformable body to a rigid body, which is defined as a \*MAT\_RIGID material, use the \*CONSTRAINED\_EXTRA\_NODE\_ keyword. The required input parameters are the master part ID and the node set ID. The node set includes the nodes that are rigidly attached to the master part ID, and these nodes can be physically located anywhere in the model, i.e., they do not need to be adjacent to a rigid surface. Consequently, it is possible to add deformable materials to a rigid component of a dummy without an accurate mesh for the rigid component.



**\*CONSTRAINED\_EXTRA\_NODES\_OPTION**

Master Part	1	2	3	4	5	6	7	8
Variable	PID	NID/NSID						
Type	I	I						
Default	none	none						

*Slave Node Set Id*

### Rigid Body Output

All relevant rigid body time history data is output to the ASCII file, RBDOUT (Rigid Body Data Output). The data can be output in both global and local coordinate systems. In the latter case the local system, defined in the \*MAT\_RIGID input, is updated each cycle to track the orientation of the rigid body. It is generally recommended to request this output for each analysis. In some cases, the file size could be very large, as it contains, by default the output for every \*CONSTRAINED\_NODAL\_RIGID\_BODY as well. Such output can be controlled in the input file.

### Deformable to Rigid Material Switching

Occasionally, long duration, large rigid body motions arise that are prohibitively expensive to simulate if the elements in the model are deformable. Such a case occurs in automotive rollover where the time duration of the rollover dominates the cost relative to the post impact response that occurs much later.

To permit such simulations to be efficiently handled a capability to switch a subset of materials from deformable to rigid and back to deformable is available. Such switching is done with the \*DEFORMABLE\_TO\_RIGID keyword input. In practice, the suspension system and tires would remain deformable. If this option is active, LS-DYNA knows that all materials in the model have the potential to become rigid bodies sometime during the calculation. When this flag is set, a cost penalty is incurred on vector processors since the blocking of materials in the element loops will be based on the part ID rather than the material type ID. Normally this cost is insignificant relative to the cost reduction due to this unique feature.

For rigid body switching to work properly, the choice of the shell element formulation is critical. The Hughes-Liu elements cannot be used for two reasons. Since these elements compute the strains from the rotations of the nodal fiber vectors from one cycle to the next, the nodal fiber vectors should be updated with the rigid body motions, and this is not done. Secondly, the stresses are stored in the global system as opposed to the co-rotational system.

Therefore, the stresses would also need to be transformed with the rigid body motions or zeroed out. The co-rotational elements of Belytschko and co-workers do not reference nodal fibers for the strain computations, and the stresses are stored in the co-rotational coordinate system which eliminates the need for the transformations; consequently, these elements can be safely used. The membrane elements and airbag elements are closely related to the Belytschko shells and can be safely used with the switching options.

The beam elements have nodal triads that are used to track the nodal rotations and calculate the deformation displacements from one cycle to the next. These nodal triads are updated every cycle with the rigid body rotations to prevent non-physical behavior when the rigid body is switched back to deformable. This applies to all beam element formulations in LS-DYNA. The Belytschko beam formulations are preferred for the switching options for like the shell elements, the Hughes-Liu beams keep the stresses in the global system. Truss elements, like the membrane elements, pose no difficulties.

The brick elements store the stresses in the global system and upon switching the rigid material to deformable the element stresses are zeroed to eliminate spurious behavior.

The implementation for switching addresses many potential problems and has worked well in practice. The current restrictions can be eliminated if the need arises and should pose no insurmountable problems. We will continue to improve this capability if we find that it is becoming a popular option.

### **Rigid Body Welds**

The weld capability in LS-DYNA is based on rigid body dynamics. Each weld is defined by a set of nodal points which moves rigidly with six degrees of freedom until a failure criteria is satisfied. Five weld options are implemented including:

- Spot weld.
- Fillet weld
- Butt weld
- Cross fillet weld
- General weld

Welds can fail three ways: by ductile failure which is based on the effective plastic strain, by brittle failure which is based on the force resultants acting on the rigid body weld, and by a failure time, which is specified in the input. When effective plastic strain is used, the weld fails when the nodal plastic strain exceeds the input value. A least squares algorithm is used to generate the nodal values of plastic strains at the nodes from the element integration point values. The plastic strain is integrated through the element and the average value is projected to the nodes with a least square fit. In the resultant based brittle failure, the resultant forces and moments on each node of the weld are computed. These resultants are checked against a failure criterion which is expressed in terms of these resultants. The forces may be averaged over a user specified number of time steps to eliminate breakage due to spurious noise. After all nodes of a weld are released the rigid body is removed from the calculation.

## Rigid Body Joints

Joints are used to join rigid bodies. A major application of joints in crashworthiness analysis is in modeling dummies. Whether a dummy is rigid or deformable, the “skeleton” is usually constructed of rigid bodies tied together by joints. The joints eliminate one or more degrees-of-freedom. For example, a spherical joint eliminates three translational degrees-of-freedom when placed between two rigid bodies leaving three translational and six rotational degrees-of-freedom. The joints are implemented using two methods in LS-DYNA: penalties and Lagrange multipliers. The penalty method is the default method. The Lagrange multiplier method can be activated for all rigid bodies on the \*CONTROL\_RIGID keyword or, if desired, for a subset of rigid bodies in the input for the Joint definitions. The Lagrange multiplier approach requires an iterative solution with the assembly and inversion of the rigid body inertia matrix each cycle and, consequently, it is slightly more expensive. Here we will briefly describe the penalty approach.

Given a constraint equation  $C(x_i, x_j) = 0$ , for nodes  $i$  and  $j$ , the penalty function added to the Lagrangian of the system is  $-1/2kC^2(x_i, x_j)$ . The resulting nodal forces are:

$$f_i = -kC(x_i, x_j) \frac{\partial C(x_i, x_j)}{\partial x_i}$$

$$f_j = -kC(x_i, x_j) \frac{\partial C(x_i, x_j)}{\partial x_j}$$

The forces acting at the nodes are converted into forces and moments acting on the rigid body

The joint constraints are defined in terms of the displacements of individual nodes. Regardless of whether the node belongs to a solid element or a structural element, only its translational degrees of freedom are used in the constraint equations.

A spherical joint is defined for nodes  $i$  and  $j$  by the three constraint equations:

$$x_{1i} - x_{1j} = 0 \quad x_{2i} - x_{2j} = 0 \quad x_{3i} - x_{3j} = 0$$

and a revolute joint, which requires five constraints, is defined by two spherical joints, for a total of six constraint equations. Since a penalty formulation is used, the redundancy in the joint constraint equations is unimportant. A cylindrical joint is defined by taking a revolute joint and eliminating the penalty forces along the direction defined by the two spherical joints. In a similar manner, a planar joint is defined by eliminating the penalty forces that are perpendicular to the two spherical joints.

The magnitude of the penalty stiffness  $k$  is chosen automatically so that it does not control the stable time step size for the explicit solution. For the central difference method, the stable time step  $\Delta t$  is restricted by the condition that,

$$\Delta t = \frac{2}{\Omega}$$

where  $\Omega$  is the highest frequency in the system. The six vibrational frequencies associated with each rigid body are determined by solving their eigenvalue problems assuming  $k=1$ . For a body with  $m$  constraint equations, the linearized equations of the translational degrees of freedom are

$$M\ddot{X} + mkX = 0$$

and the frequency is  $\sqrt{mk/M}$  where  $M$  is the mass of the rigid body. The corresponding rotational equations are

$$J\ddot{\theta} + K\theta = 0$$

$J$  is the inertia tensor and  $K$  is the stiffness matrix for the moment contributions from the penalty constraints. The stiffness matrix is derived by noting that the moment contribution of a constraint may be approximated by

$$F^x = -kr_i \times (\theta \times r_i)$$

$$r_i = x_i - X^{cm}$$

and noting the identity,

$$A \times (B \times C) = |A \cdot C - A \otimes C| B$$

so that

$$K = \sum_{i=1}^m k [r_i \cdot r_i - r_i \otimes r_i]$$

The rotational frequencies are the roots of the equation  $\det |K - \Omega^2 J| = 0$ , which is cubic in  $\Omega^2$ . Defining the maximum frequency over all rigid bodies for  $k=1$  as  $\Omega_{\max}$ , and introducing a time step scale factor  $TSSF$ , the equation for  $k$  is

$$k \leq \left( \frac{2TSSF}{\Delta t \Omega_{\max}} \right)^2$$

Generally, the stiffness determined in this way is quit stable; however, there always exist problems where the computed stiffness is too large or small. In these cases, a scale factor can be defined.

## Built-in Rigid Body Dummies

Rigid body dummies are generated and simulated within LS-DYNA by including the appropriate \*COMPONENT keyword; both the GEBOD and Hybrid III variety of dummy can be created. Accordingly the term “built-in” is used to refer to the \*COMPONENT dummies for their meshes are automatically generated when the simulation is initialized. Moreover, the motion of the dummy, represented by a multi-body system of rigid segments, is governed by differential equations. These motion equations are integrated within LS-DYNA separately from the finite element model. Interaction between the finite element structure and dummy is achieved through conventional contact interfaces.

Using the keyword \*COMPONENT\_GEBOD either a male, female or child humanoid can be brought into the finite element model. Physical properties of these dummies draw upon the GEnerator of BODy database representing an extensive human measurement program conducted by government agencies. Size of the male and female subjects is specified as a combined height and weight percentile ranging from 0 to 100. The age of the genderless child, ranging from 24 to 240 months, is used to specify its size. Twenty-two ellipsoids comprise the GEBOD dummy and gives rise to a dynamical system possessing forty degrees of freedom. Connecting the rigid segments are joints whose properties (stiffness, damping, stop angles, etc.) are set to default values but may altered with the keyword \*COMPONENT\_GEBOD\_JOINT. Although conventional contact interfaces (e.g., \*CONTACT\_SURFACE\_TO\_SURFACE) work well, non-faceted contact interfaces can be applied with \*CONTACT\_GEBOD.

A family of 5<sup>th</sup>, 50<sup>th</sup>, and 95<sup>th</sup> percentile Hybrid III dummies is available with the keyword \*COMPONENT\_HYBRIDIII. The detailed mesh generated by this command closely matches the topology of the industry standard Hybrid III crash test dummy. Forty-two variables suffice to describe the motion of the nineteen segments comprising this system. Although the underlying segments of the dummy are rigid it is possible to optionally specify deformable materials for the jacket, pelvis, and head skin. The user may change the default joint properties with \*COMPONENT\_HYBRIDIII\_JOINT. Including the keyword \*DATABASE\_H3OUT causes joint forces and torques to be written to an ASCII output file.

## Future

In version 960 of LS-DYNA the use of rigid bodies in implicit calculations is limited since key capabilities such as joint constraints are not implemented. In version 970, nearly all explicit rigid body capabilities are available including dynamics and the complete set of joints. These options are available for implicit linear and nonlinear solutions. Eigenvalue extraction is now possible in version 970 with virtually all constraint options, including rigid bodies with joint connections.

**Getting Started with LS-DYNA**  
**© Copyright FEA Information Inc. 2002**

Following are the first 3 chapters of the “Getting Started with LS-DYNA” user manual. As chapters are completed, they will be included in subsequent newsletters. The entire “Getting Started with LS-DYNA” manual, completed to date, will be available for downloading from the [www.feainformation.com](http://www.feainformation.com) website under the link Tutorials starting February 2, 2002.

## 1 Introduction

LS-DYNA is used to solve multi-physics problems including solid mechanics, heat transfer, and fluid dynamics either as separate phenomena or as coupled physics, e.g., thermal stress or fluid structure interaction. This manual presents “very simple” examples to be used as templates (or recipes).

This manual should be used side-by-side with the “LS-DYNA Keyword User’s Manual”. The keyword input provides a flexible and logically organized database. Similar functions are grouped together under the same keyword. For example, under the keyword, \*ELEMENT, are included solid, beam, and shell elements. The keywords can be entered in an arbitrary order in the input file. However, for clarity in this manual, we will conform to the following general block structure and enter the appropriate keywords in each block.

1. define solution control and output parameters
2. define model geometry and material parameters
3. define boundary conditions

## 2 Units

LS-DYNA requires a consistent set of units to be used. All parameters in this manual are in SI units.

### General

- length [m]
- mass [kg]
- temperature [K]
- time [sec]

### Mechanical units

- density [kg/m<sup>3</sup>]
- Modulus of elasticity [Pa]
- yield stress [Pa]
- coefficient of expansion [m/m K]

### Thermal units

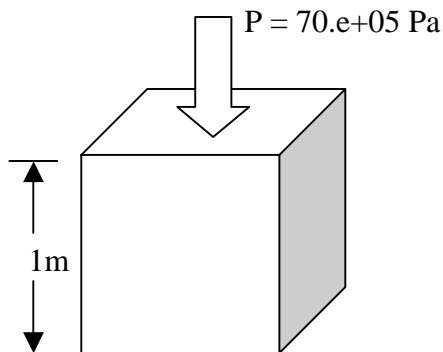
- heat capacity [J/kg K]
- thermal conductivity [W/m K]
- heat generation rate [W/ m<sup>3</sup>]



### 3 Getting Started

#### 3.1 Problem Definition

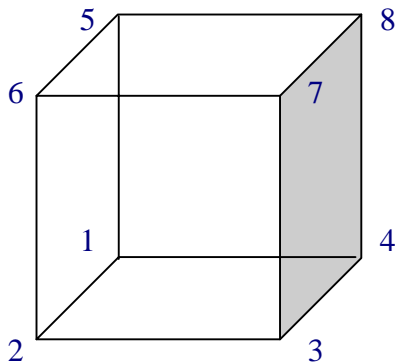
Consider the deformation of an aluminum block sitting on the floor with a pressure applied to the top surface.



Aluminum 1100-O	
density	2700 kg/m <sup>3</sup>
modulus of elasticity	70.e+09 Pa
Poisson Ratio	0.3
coefficient of expansion	23.6e-06 m/m K
heat capacity	900 J/kg K
thermal conductivity	220 W/m K

#### 3.2 Input File Preparation

The first step is to create a mesh and define node points. Since we are just getting started, we will define the mesh as consisting of only 1 element and 8 node points as shown in the following figure. Also, we will use default values for many of the parameters in the input file, and therefore not have to enter them.



The “LS-DYNA Keyword User’s Manual” should be read side-by-side with this manual.

The following steps are required to create the finite element model input file.

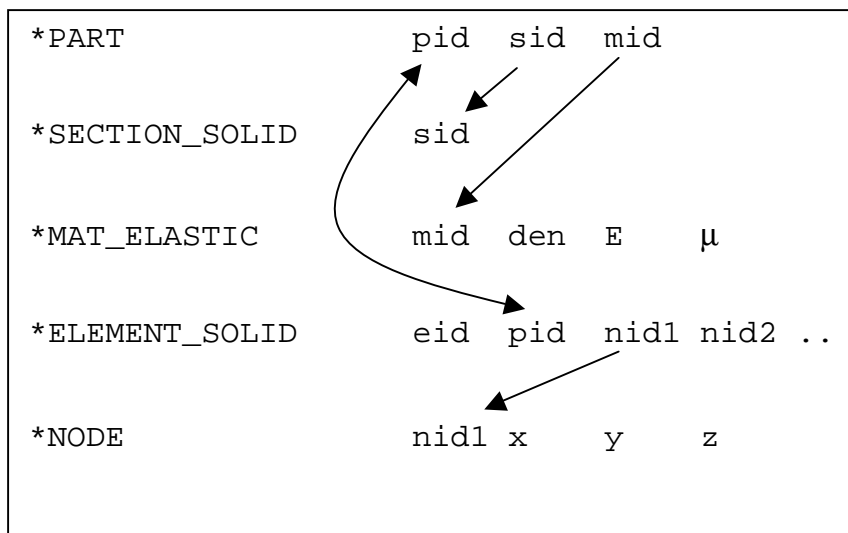
\*KEYWORD

The first line of the input file must begin with \*KEYWORD. This identifies the file as containing the “keyword” format instead of the “structured” format of older LS-DYNA releases.

The first input block is used to define solution control and output parameters. As a minimum, the \*CONTROL\_TERMINATION keyword must be used to specify the problem termination time. We will apply the pressure load as a ramp from 0 Pa to 70.e+05 Pa during a time interval of 1 second. Therefore, the termination time is 1 second. Additionally, one of the many output options should be used to control the printing interval of results (e.g., \*DATABASE\_BINARY\_D3PLOT). We will print results every 0.1 seconds.

```
*CONTROL_TERMINATION
  1.
*DATABASE_BINARY_D3PLOT
  .1
```

The second input block is used to define the model geometry, mesh, and material parameters. The following description and map may help to understand the data structure in this block. We have 1 part, the aluminum block, and use the \*PART keyword to begin the definition of the finite element model. The \*PART keyword contains data that points to other attributes of this part, e.g., material properties. Keywords for these other attributes in turn point elsewhere to additional attribute definitions. The organization of the keyword input looks like this.



The LS-DYNA Keyword User Manual should be consulted at this time for a description of the keywords used above. A brief description follows:

- \*PART We have 1 part identified by part identification (pid=1). This part has attributes identified by section identification (sid=1) and material identification (mid=1).
- \*SECTION\_SOLID Parts identified by (sid=1) are defined as constant stress 8 node brick elements by this keyword.
- \*MAT\_ELASTIC Parts identified by (mid=1) are defined as elastic materials with a modulus of elasticity E and a Poisson ratio of  $\mu$  by this keyword.
- \*ELEMENT\_SOLID Eight node solid brick elements identified by element identification (eid=1) have the attributes of (pid=1) and are defined by the node list (nid)

**\*NODE**                      The node identified by (nid) has coordinates x,y,z.

Our finite element model consists of 1 element, 8 nodes, and 1 material. Keeping the above in mind, the data entry for this block looks like this.

```

*PART
aluminum block
  1      1      1
*SECTION_SOLID
  1
*MAT_ELASTIC
  1      2700.    70.e+09    .3
*ELEMENT_SOLID
  1      1      1      2      3      4      5      6      7      8
*NODE
  1      0.      0.      0.      7      7
  2      1.      0.      0.      5      0
  3      1.      1.      0.      3      0
  4      0.      1.      0.      6      0
  5      0.      0.      1.      4      0
  6      1.      0.      1.      2      0
  7      1.      1.      1.      0      0
  8      0.      1.      1.      1      0
    
```

The third input block is used to define boundary conditions and time dependent load curves. We are applying a load of 70.e+05 Pa to the top surface of the block defined

by nodes 5-6-7-8. We will ramp the load up from 0 Pa to 70.e+05 Pa during a time interval of 1 second.

Note that the first data entry in **\*LOAD\_SEGMENT** is a load curve identification number (lcid=1) which points to the load curve defined by the keyword **\*DEFINE\_CURVE** having that same (lcid) identification number.

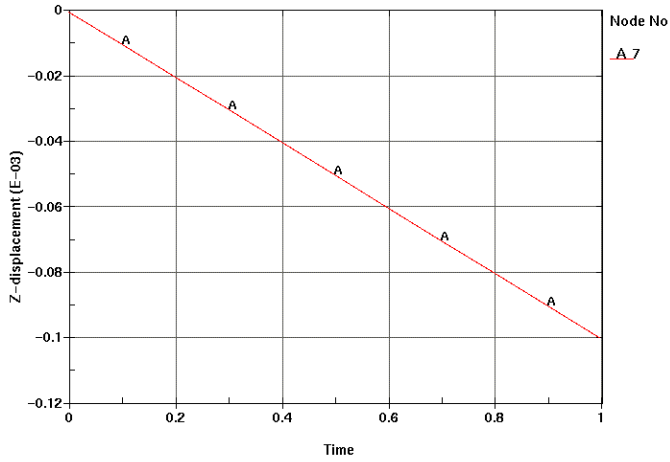
```

*LOAD_SEGMENT
  1      1.      0.      5      6      7      8
*DEFINE_CURVE
  1      0.      0.
      1.      70.e+05
    
```

**\*END**                      The last line in the input file must have the keyword **\*END**.

### 3.3 LS-DYNA solution

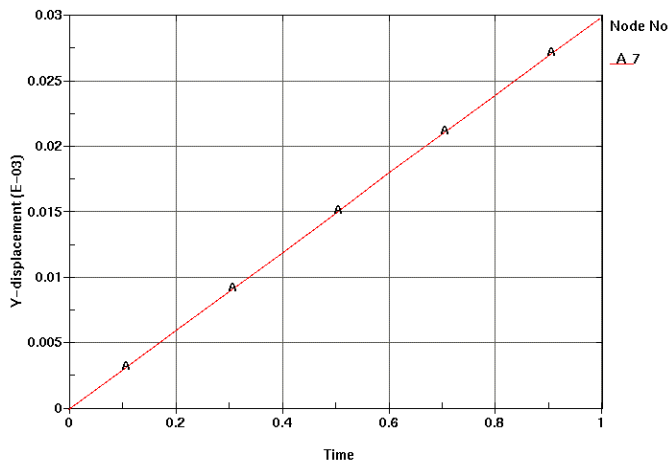
The vertical and horizontal displacement of node 7, calculated by LS-DYNA, are shown in the following 2 graphs. The solution to this simple problem can be calculated analytically. The LS-DYNA solution compares exactly with the analytical solution.



The vertical displacement due to a 70.0e+05 Pa pressure load can be calculated by

$$\Delta l = \frac{Pl}{E} = \frac{(70e+05)(1)}{(70e+09)} =$$

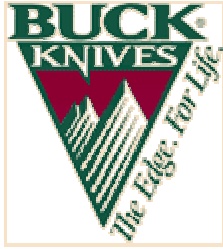
0.1e-03 m



The horizontal displacement is

$$\Delta l_h = \mu \Delta l = (0.3)(0.0001) =$$

0.03e-03 m



**DesignSpace and SolidWorks Help Buck Knives Capture Major  
New Market Opportunity © Copyright ANSYS Inc.  
Reprinted from the ANSYS Inc. Website  
[www.ansys.com](http://www.ansys.com)**

Engineers at Buck Knives, Inc., the world's leading manufacturer of sporting knives and tools for outdoor activities, recently faced the seemingly insurmountable challenge of designing and producing a new version of the company's BuckTool™-a compact, multi-function, folding tool-in record time.

The pressure was on Buck Knives' product development staff to slash the existing design/production cycle of more than one year, so the company could introduce the product to the mass-merchant market (outlets such as Wal-Mart, Kmart, etc.) in time to capitalize on the holiday buying season.

Buck Knives, based in El Cajon, California, undertook the BuckLite(tm) Tool project as part of a strategic business initiative to expand beyond the company's traditional retail space of hardware stores, hunting/fishing shops, catalogs, and sporting goods outlets, into the mass-merchant space, sometimes referred to as the "marts." Introducing the new product quickly to this market was more than an engineering challenge; it was a major business opportunity and objective.

Tom Gaboury, engineering designer at Buck Knives, said the BuckLite Tool, which includes a set of needle-nose pliers, a Phillips screwdriver bit, three slotted screwdriver bits, a file, an awl, a bottle opener, a wire cutter, and a knife blade, will be introduced in August 1997. The timing of the product release, in advance of the holiday buying season, has already resulted in pre-production sales of over 100,000 units and a major accomplishment for Buck Knives in securing its place in a new market.

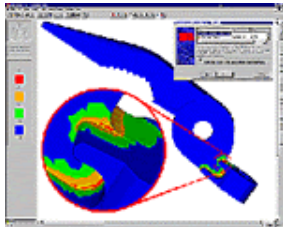


**DesignSpace Speeds Time to Market**

According to Gaboury, the major factor in meeting the BuckLite Tool challenge was the acquisition and use of SolidWorks 97 and DesignSpace for SolidWorks. Implementing these software packages to drive the project helped Buck Knives produce the following results: The design/production cycle for the BuckLite Tool was cut to six months, a reduction of more than 50 percent from the company's traditional design cycle.

Design costs were dramatically reduced. Each design/prototype iteration costs Buck Knives roughly \$2,000 to develop new molds and castings. Historically, several design iterations were required. Using DesignSpace for SolidWorks, engineers created a high-quality design the first time. Product performance was improved almost three-fold. The pliers on the original BuckTool design could sustain a force of 1,000 pounds before failure (that product has been redesigned and presently can sustain a

force of up to 1,800 pounds). The pliers on the BuckLite Tool, which was designed using DesignSpace, can handle a force of up to 2,700 pounds.



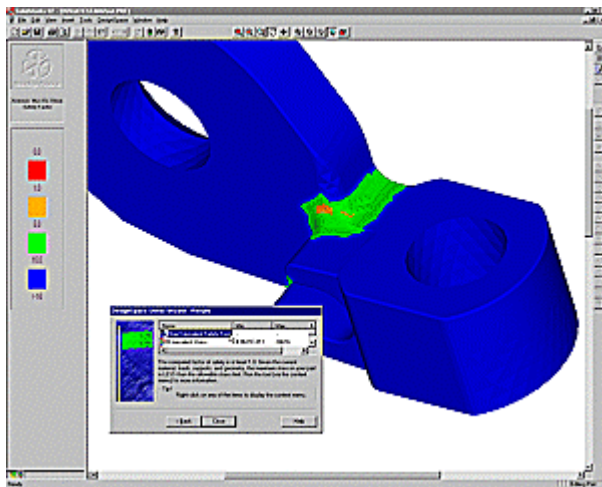
### Getting Up to Speed Quickly

The most surprising part of the project, according to Gaboury, was how quickly he was able to use SolidWorks and DesignSpace for SolidWorks, both of which were purchased from Digital Dimensions, Inc., the SolidWorks and DesignSpace VAR for Southern California. Gaboury completed the project after using SolidWorks for just eight weeks and after using DesignSpace for just two weeks.

"The DesignSpace Stress Wizard is so easy, I couldn't believe it," Gaboury said. "I've never had any finite element analysis (FEA) experience. DesignSpace makes it so easy. It's outstanding. It's what everyone's been looking for."

Gaboury used the DesignSpace Stress Wizard as he created the design for the jaws on the needle-nose pliers that are a part of the BuckLite Tool. He ran several stress failure analyses as he designed, tweaking his model based on the results he received as he went along. All of the design work was completed on a Micron(r) computer with a 150 MHz Pentium processor and 64 MB of RAM.

"I created the model, and the DesignSpace analysis ran in 10 minutes," Gaboury explained. "I ran a number of analyses, changing some radii, forces, and load directions along the way....DesignSpace helped me to nail the design the first time."



### Will It Break?

Like many mainstream product manufacturers, Buck Knives' top priority, even more important than time to market, was product performance. Making the deadline did not supersede continuing the standard of high-quality products that Buck Knives is known for. In the past, the company would design a part, then send it on to Hitchiner Manufacturing Company, Inc., a ferrous and nonferrous investment casting firm based in Milford, N.H., for mold development and casting. The prototypes are then sent back to Buck Knives for pull and pressure testing on hydraulic-driven mechanisms equipped with strain gauges.

Gaboury pointed out that he was mostly concerned about the strength of the tool in the lug area, where the tool handle attaches to the jaw of the pliers, and that as a design engineer, he did not need the specialization of a traditional FEA package to obtain answers to his design questions.

"All we want to know is will the part break or not," he added. "DesignSpace fits my needs, exactly."



Without DesignSpace software, Buck Knives would have made design changes via prototype testing, which could have required numerous castings. Gaboury noted that the cost of the castings was not the primary concern for the BuckLite Tool project team. Time was of the essence. They had to be ready in time for the holiday buying season.

"How much money has this one analysis saved? That's hard to say because we don't really know how many design iterations would have been required without it," Gaboury explained. "What you really lose is time. We're looking at five-to-six weeks to redesign and test each time. This software (DesignSpace) got us past that. How do you put a value on that? I don't know, but for this project, I can tell you it's big. It's real big."

In addition to the time savings afforded by using DesignSpace software, additional time was saved simply by using SolidWorks 97 for solid modeling, which in and of itself eliminated three or four sets of prototypes.

The combination of SolidWorks 97 and the DesignSpace Stress Wizard for SolidWorks helped Buck Knives engineers produce a higher quality product, at lower cost, and within the confines of a very tight deadline. The software not only satisfied a technical need. It met a business challenge; just in time for the holidays.

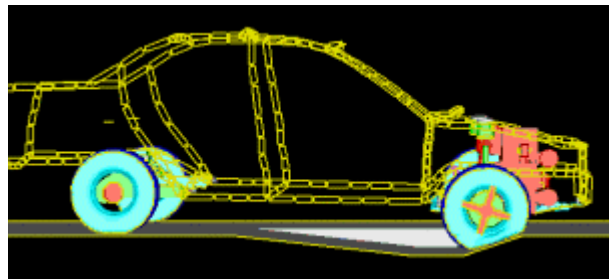
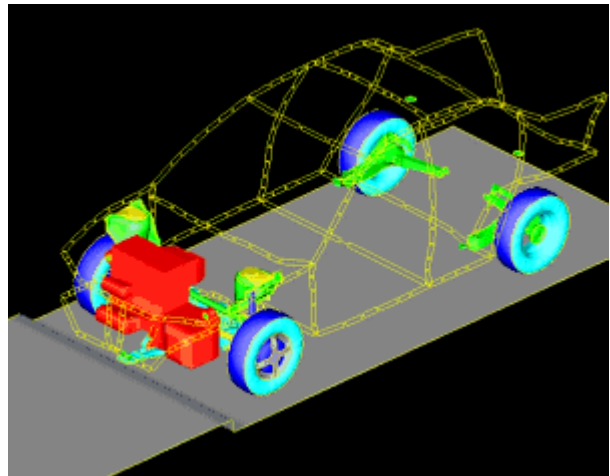
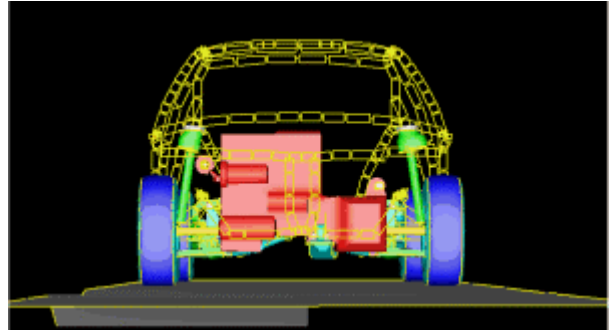
<b>April 22-24, 2002 USA</b>	<b>ANSYS Users Conference &amp; Exhibition 2002 - Pittsburgh Hilton, Pittsburgh, PA. For information visit:</b>
----------------------------------	---

<b>2002</b>	<b>Events/Conferences</b>
Feb 22-23	<b>Gisseta India Pvt. Ltd:</b> 1st National Conference on CAD/CAE (Feb 22-23, 2002) The Conference will be held at "GRT Grand Days", Chennai, India - Hosted by GissEta, Co-hosted by LSTC and ETA
April 08-10 FRANCE	<b>MSC.Software</b> Worldwide Aerospace Conference & Technology Showcase, Toulouse, France
May 19-21, USA	<b>LSTC &amp; ETA:</b> 7th International LS-DYNA User's Conference at the Hyatt Regency Hotel & Conference Center - Fairlane Town Center, Dearborn, MI 48126
Oct. 9-11	<b>CAD-FEM</b> Users Meeting - International Congress on FEM Technology: Kultur- und Congress-Centrum "Graf-Zeppelin-Haus", Friedrichshafen, Lake Constance, Germany. For information contact Barbara Leichtenstern. Information will be available soon on the CAD-FEM website

**Virtual Prototype Analysis,  
© Copyright OASYS, Ltd. – The full article  
can be viewed on [www.arup.com/dyna](http://www.arup.com/dyna)  
(applications)**

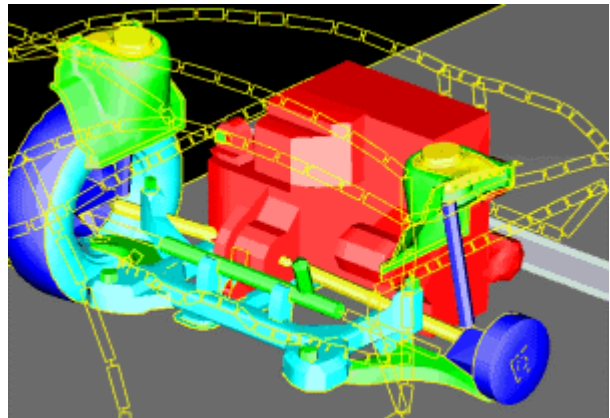
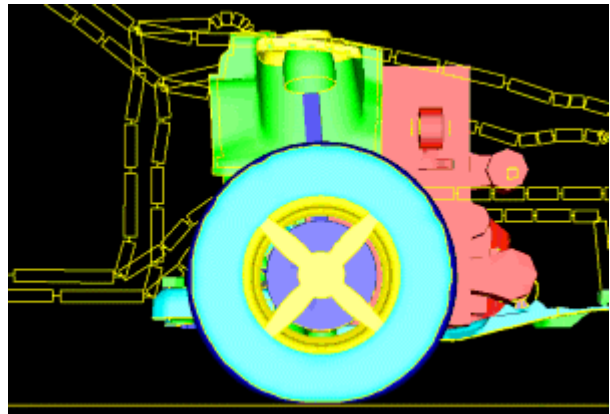
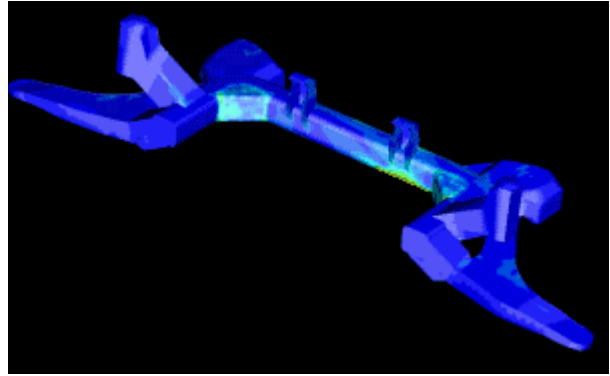
Vehicles and other manufactured products have to be durable. They are commonly subjected to tests involving repeated loads and one-off extreme loads to assess their durability performance. The tests are sometimes modelled using linear finite element analysis, in which the loading is estimated from experience. This technique gives poor results, because the stiffness and strength of the structure often controls the applied force, so design changes intended to reduce deformation can instead lead to unexpected failures. In the vehicle industry, durability tests may be modelled by a multi-step analysis process involving simplifying assumptions at each stage. The errors that arise from this type of analysis process are becoming unacceptable in today's shorter product development cycles, because there is no longer time to find and correct problems by testing. Many advantages can be obtained by simulating the tests as they are done in practice, including all the dynamic and nonlinear effects, in a single simulation. LS-DYNA is ideally suited to simulate many of these tests.

An example is the modelling of events from accelerated durability tests and suspension abuse loads on cars. The loading is determined by tyre behaviour, suspension response, and the flexibility of the suspension members, bushes, and body. By including all of these items in the calculation, a potentially more accurate simulation can be achieved. In the abuse load cases, damage to the body and suspension can be predicted.



The modelling techniques are very similar to those for crash analysis, except that the suspension and tyres are modelled more accurately. The tyres each contain around 1500 orthotropic shell elements; often, solid elements are added to represent the tread. The LS-DYNA airbag feature is used to control the internal pressure.

The analyses shown in the pictures on this page were all run using standard LS-DYNA 940 on a 64-bit Cray computer. It is recommended that a double precision version of LS-DYNA should be used for this type of calculation if the solver normally uses 32-bit word length, as is the case with most unix workstations



**FEA Information Inc. Participants**

<b>Headquarters</b>	<b>Company</b>	<b>website</b>
Australia	Leading Engineering Analysis Providers	<a href="http://www.leapaust.com.au">www.leapaust.com.au</a>
Belgium	LMS, International	<a href="http://www.lmsintl.com">www.lmsintl.com</a>
Canada	Metal Forming Analysis Corp.	<a href="http://www.mfac.com">www.mfac.com</a>
China	ANSYS Beijing	<a href="http://www.ansys.com">www.ansys.com</a> (link on international)
France	Dynalis	<a href="http://www.dynalis.fr">www.dynalis.fr</a>
Germany	DYNAmore	<a href="http://www.dynamore.de">www.dynamore.de</a>
Germany	CAD-FEM	<a href="http://www.cadfem.de">www.cadfem.de</a>
India	GissEta	<a href="http://www.gisseta.com">www.gisseta.com</a>
Japan	The Japan Research Institute, Ltd	<a href="http://www.jri.co.jp">www.jri.co.jp</a>
Japan	Fujitsu Ltd.	<a href="http://www.fujitsu.com">www.fujitsu.com</a>
Korea	THEME Engineering	<a href="http://www.lsdyna.co.kr">www.lsdyna.co.kr</a>
Korea	Korean Simulation Technologies	<a href="http://www.kostech.co.kr">www.kostech.co.kr</a>
Russia	State Unitary Enterprise - STRELA	<a href="http://www.ls-dynarussia.com">www.ls-dynarussia.com</a>
Sweden	Engineering Research AB	<a href="http://www.erab.se">www.erab.se</a>
Taiwan	Flotrend Corporation	<a href="http://www.flotrend.com">www.flotrend.com</a>
UK	OASYS, Ltd	<a href="http://www.arup.com/dyna">www.arup.com /dyna</a>
USA	Livermore Software Technology	<a href="http://www.lstc.com">www.lstc.com</a>
USA	Engineering Technology Associates	<a href="http://www.eta.com">www.eta.com</a>
USA	ANSYS, Inc	<a href="http://www.ansys.com">www.ansys.com</a>
USA	Hewlett Packard	<a href="http://www.hp.com">www.hp.com</a>
USA	SGI	<a href="http://www.sgi.com">www.sgi.com</a>
USA	MSC Software	<a href="http://www.mssoftware.com">www.mssoftware.com</a>
USA	EASi Engineering	<a href="http://www.easiusa.com">www.easiusa.com</a>
USA	DYNAMAX	<a href="http://www.dynamax-inc.com">www.dynamax-inc.com</a>

**FEA Information Educational Participants**

<b>Dr. T. Belytschko</b> Northwestern U. - USA	<b>Dr. D. Benson</b> UCSD - USA	<b>Dr. Bhavin V. Mehta</b> Ohio Univ. - USA
<b>Dr. Taylan Altan</b> The Ohio State U. – ERC/NSM - USA	<b>Prof. Ala Tabiei</b> U. of Cincinnati - USA	<b>Dr. Alexey I. Borovkov</b> St. Petersburg State Technical. Univ. Russia

**FEA Information News Showcased in November**  
**Archived on the site on the News Page**

**December 3rd**

<b>Software</b>	<b>LSTC</b>	<b>LS-OPT</b>
<b>Software</b>	<b>MSC</b>	<b>NASTRAN</b>
<b>Distributor</b>	<b>THEME</b>	<b>Located in Korea</b>

**December 10<sup>th</sup>**

<b>Software</b>	<b>LMS</b>	<b>Virtual .Lab</b>
<b>Software</b>	<b>JRI</b>	<b>J-STAMP</b>
<b>Distributor</b>	<b>Dynalis</b>	<b>Located in France</b>

**December 24<sup>th</sup>**

<b>Software:</b>	<b>EASI Engineering</b>	<b>EASi-Crash</b>
<b>Application</b>	<b>Oasys, Ltd.</b>	<b>Heart Valve Analysis</b>
<b>Distributor</b>	<b>GissEta</b>	<b>Located in India</b>

**December 31st**

**Year End Participant Showcase: Livermore Software Technology Corp.**

FEA Information welcomes readers' letters, articles, and papers for publication in the *International News*. FEA Information is particularly interested in learning how the reader is using FEA Information Inc. Participant's software and hardware in solving their engineering problems.

Submissions should be approximately 5 pages (including graphics) and as a word doc not more than 150KB (including graphics). The author of any item selected for publication will be required to release their copyright in favor of FEA Information Inc. Due to legal reasons and editorial policy, articles comparing products and services are ineligible for publication. Unless the author requests anonymity, FEA Information Inc. will be pleased to include his or her name and country of residence.

Questions should be sent to [feainfo@lstc.com](mailto:feainfo@lstc.com) - We will be pleased to discuss your article and/or ideas for an article.

## News Showcase



Take Advantage of your Idle  
**COMPUTING POWER!!!**

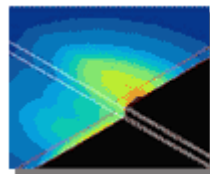


Livermore Software  
Technology Corporation  
[[www.ls-dyna.com](http://www.ls-dyna.com)]  
[[www.lstc.com](http://www.lstc.com)]

**LS-DYNA MPP**  
for  
Windows NT and 2000

**For More Information on  
Availability**

**The Japan Research Institute Limited**  
[www.jri.co.jp](http://www.jri.co.jp)



**JMAG-Studio**

**Electromagnetic Wave Analysis**

**Applications:** Antennas, Electronic Devices, PCBs, Strip Lines, EMC, Wave Absorbers, Electromagnetic Shields, Waveguides, Resonators, Plasma, Optical Pickups, Magneto-Optical Recording, Cellular Phones, Microwave Ovens

**Features:** Analysis selectable either in the frequency domain (Finite Element Method) or the time domain (Finite Difference Time Domain) depending on the problem.

- Both dielectric and magnetic material properties may be frequency dependent.
- Coupled thermal analysis

For Complete Information on JMAG-Studio: <http://www.jri.co.jp/pro-eng/jmag/e/jmg/index.html>