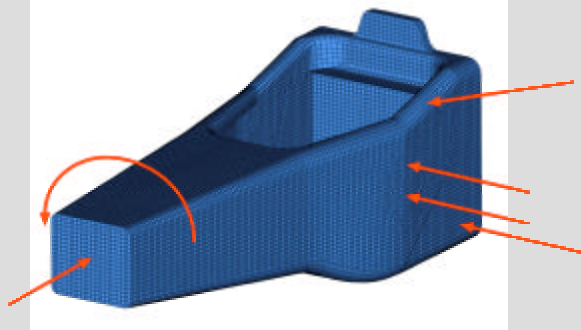
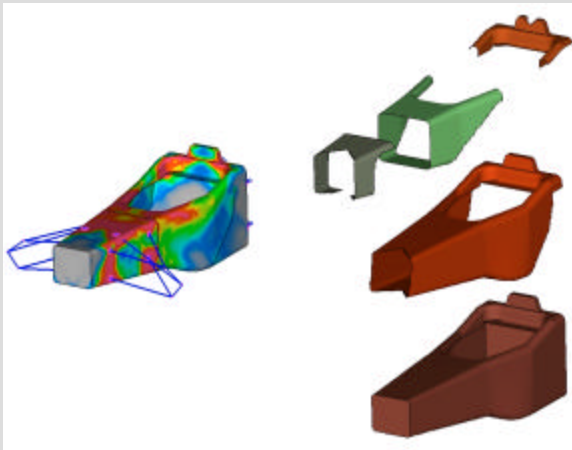


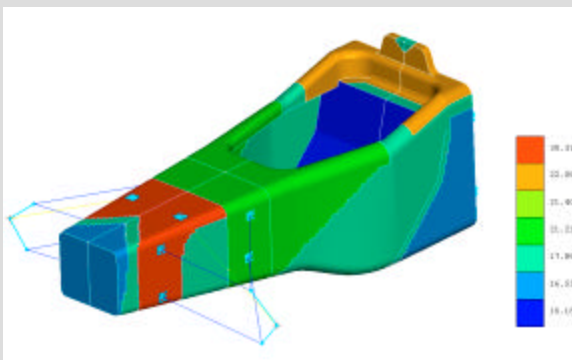
## Layer Optimization



Loading Conditions



Designable Areas



Optimal Composite Thickness Distribution

Mass reduced by 18%

GRM Consulting and P+Z using OptiAssist generated composite optimization data and launched GENESIS to optimize the above example.

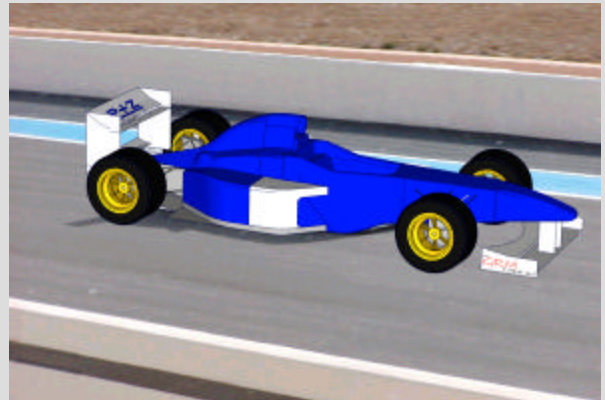
## Find Optimal Lay-up

### From small parts to whole systems

- Optimize thicknesses
- Optimize angles
- Reduce mass and cost
- Prevent buckling
- Constrain failure index, displacement, natural frequency and much more.

### Application Areas

- Car bodies
- Boats
- Airplanes
- Space structures
- Sporting goods



Courtesy: P+Z and GRM Consulting, UK

Vanderplaats R&D, Inc.  
41700 Gardenbrook Suite 115  
Novi, MI 48375  
info@vrand.com  
(248) 596-1611